



ADDING VALUE

VERSATILE

Increase the productivity of your Manitex crane with an optional one or two person basket. The baskets are designed to mount within minutes to the boom point of any Manitex crane. All baskets conform to ANSI standards.

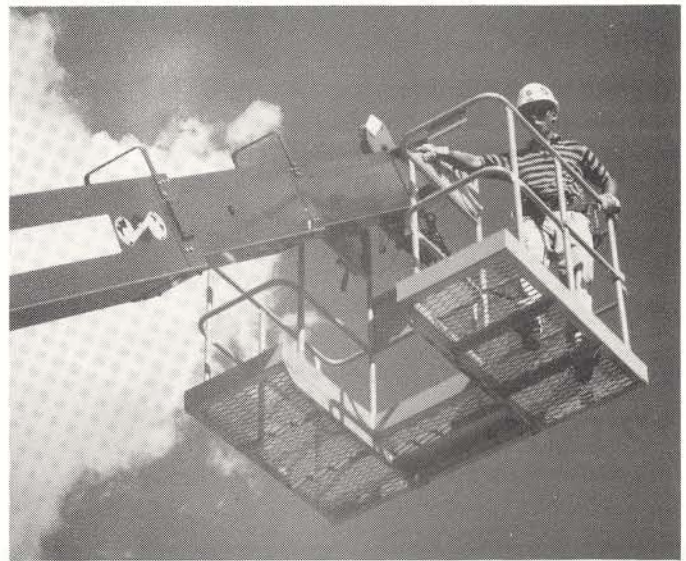
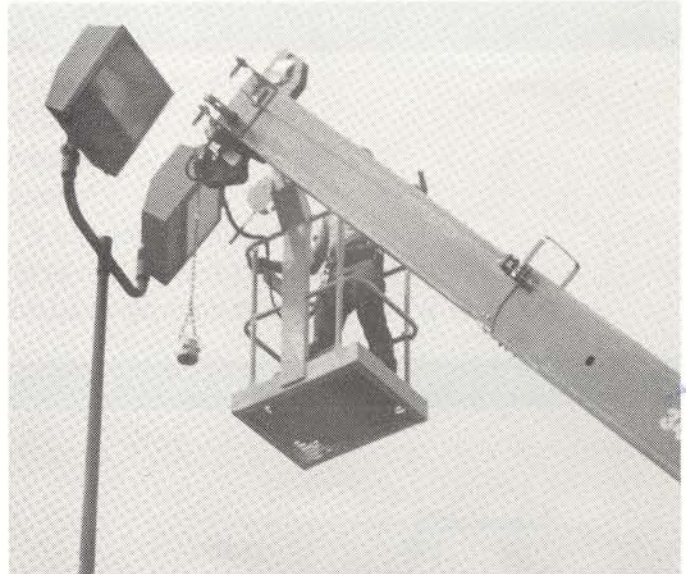
ADVANTAGES

- High capacity
- Easy operator access
- Wide dimensions
- Switch from lift crane mode to basket operation in minutes.

IDEAL FOR:

Utility Construction
Power Line Contractors
Tower Services
Sign Erection & Service
Painting Contractors
Engineering & Inspection Firms
Oil Service Companies
Windpower Contractors

PERSONNEL BASKETS



*See service/parts bulletin #218 & #218A for allowable basket applications.

*Do not operate a Manitex crane or accessories within 10' (3.04M) of live power lines.

3000 South Austin Ave., Georgetown, Texas 78626 U.S.A.

Telephone:512/869-0552 Telefax:512/863-3776

Local, state, and other governmental agencies may require stricter operating practices. When a conflict in recommendations exists, follow the strictest recommendation.



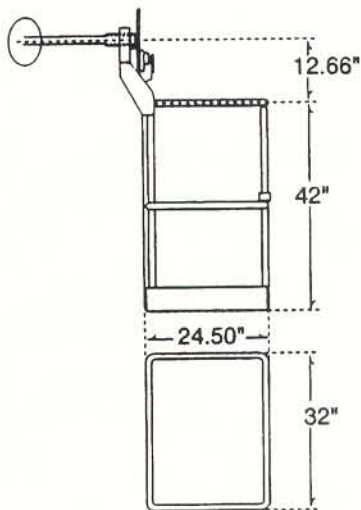
ADDING VALUE

PERSONNEL BASKETS

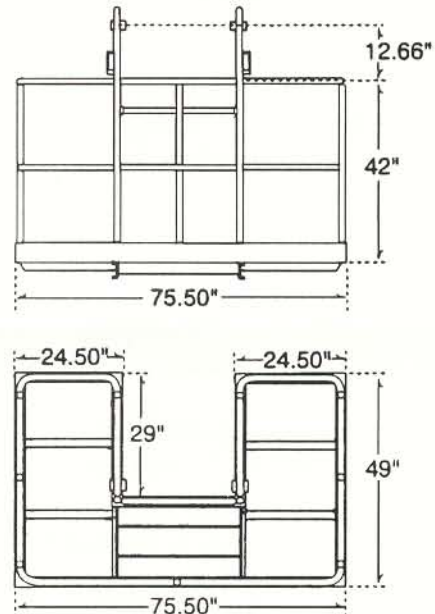
STANDARD FEATURES FOR ONE AND TWO-PERSON BASKETS

- 18 sq. ft. area in the 2-person steel basket
- Fits all Manitex cranes
 - Gravity leveling
 - Manual disc brakes
- Safety harnesses and 6' shock absorber safety lanyard
- Steel baskets feature non-skid, self-cleaning expanded metal floor
- Wireless remote controls available for most models, confirm availability

ONE-PERSON STEEL BASKET



TWO-PERSON STEEL BASKET



*Personnel baskets used to hoist people are generally prohibited.
Except when other means are not possible or more hazardous.

*Some operating restrictions apply to the use of personnel baskets. See operators manual.

3000 South Austin Ave., Georgetown, Texas 78626 U.S.A.
Telephone: 512/869-0552 Telefax: 512/863-3776

Due to a program of continuing product development, Manitex Inc. reserves the right to change descriptions and product specifications at any time without notice